

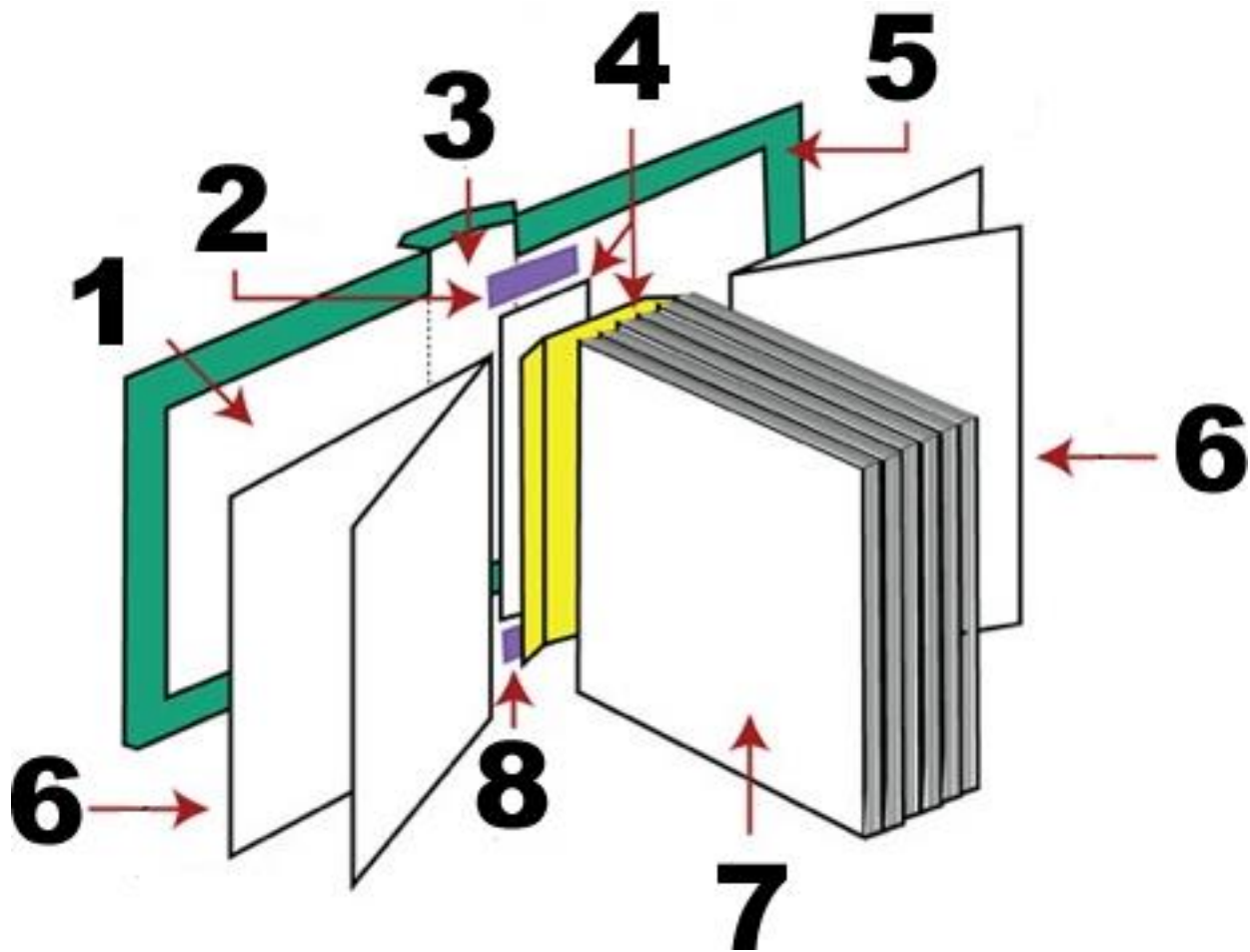
# Bookbinding Merit Badge Worksheet



## Requirement 1

Name the different parts of a book.

1. \_\_\_\_\_
2. \_\_\_\_\_
3. \_\_\_\_\_
4. \_\_\_\_\_
5. \_\_\_\_\_
6. \_\_\_\_\_
7. \_\_\_\_\_
8. \_\_\_\_\_



## Requirement 2

a. Name the different materials used in bookbinding.

_____	_____	_____
_____	_____	_____
_____	_____	_____
_____	_____	_____
_____	_____	_____
_____	_____	_____

b. Name some substitute materials used in bookbinding.

_____	_____	_____
_____	_____	_____
_____	_____	_____
_____	_____	_____
_____	_____	_____
_____	_____	_____

c. Describe the proper steps in preparing paste:

\_\_\_\_\_

\_\_\_\_\_

\_\_\_\_\_

\_\_\_\_\_

\_\_\_\_\_

\_\_\_\_\_

And explain their uses.

\_\_\_\_\_

\_\_\_\_\_

\_\_\_\_\_



### Requirement 4

Describe at least four (4) different stitches used in bookbinding.

STITCHES	DESCRIBE

### Requirement 5

Bind or rebind any of the following:

- Sheets of Papers
- Volume of loose magazines or newspapers
- A damaged book